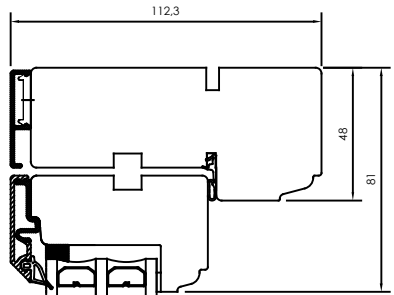
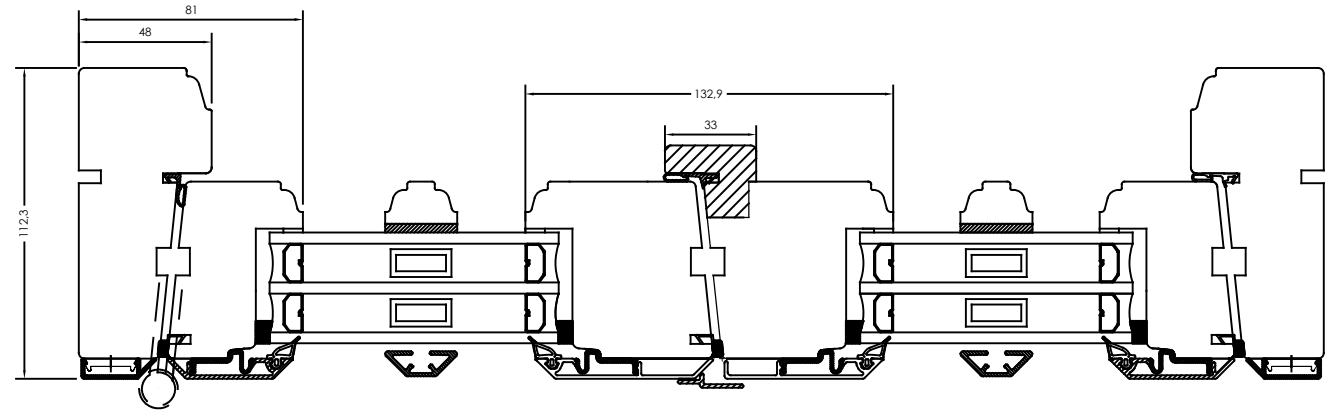
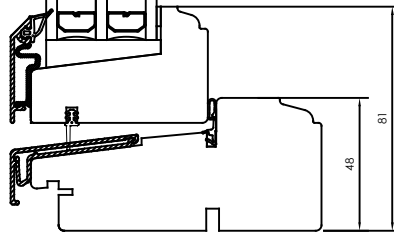
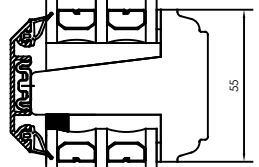


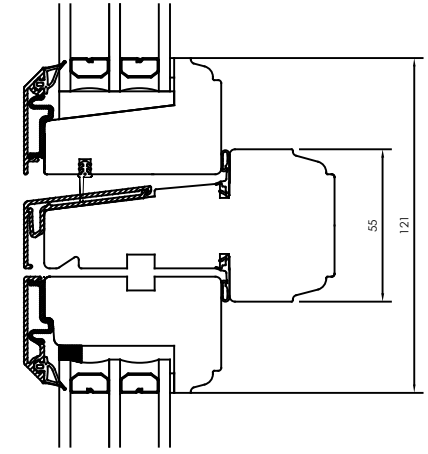
Rev	ECM	Description	Rev. by	Date



Vertikalsnitt
bågpost



Horizontalsnitt Mötesfönster



Vertikalsnitt kamtvärpost.

Product Category		Product Platform	
Window Outward		14 Utåtgående	
Product Type			
Combination;Fixed;Side Hung			
Designed by	Designed date	Approved by	Approved date
TN	2024-12-03	JB	2025-03-26
Processing Code		Material	
		Tolerances unless otherwise specified	
		ISO 2768-1 m	
		View orientation	
		E	
		Scale	
		1:1	
		Revision	
		A	



Snittriting Mötesfönster
MF-AL (Fönster)
Sectional Drawing Meeting window
MF-AL (Window)

Tolerances unless otherwise specified		View orientation	
ISO 2768-1 m		E	
Article Number		Scale	
		1:1	
Drawing Number		Revision	
14-37-W07		A	

We reserve all rights in this document and in the information contained therein.
 Reproduction, use or disclosure to third parties without express authority is strictly forbidden.
 INWIDO